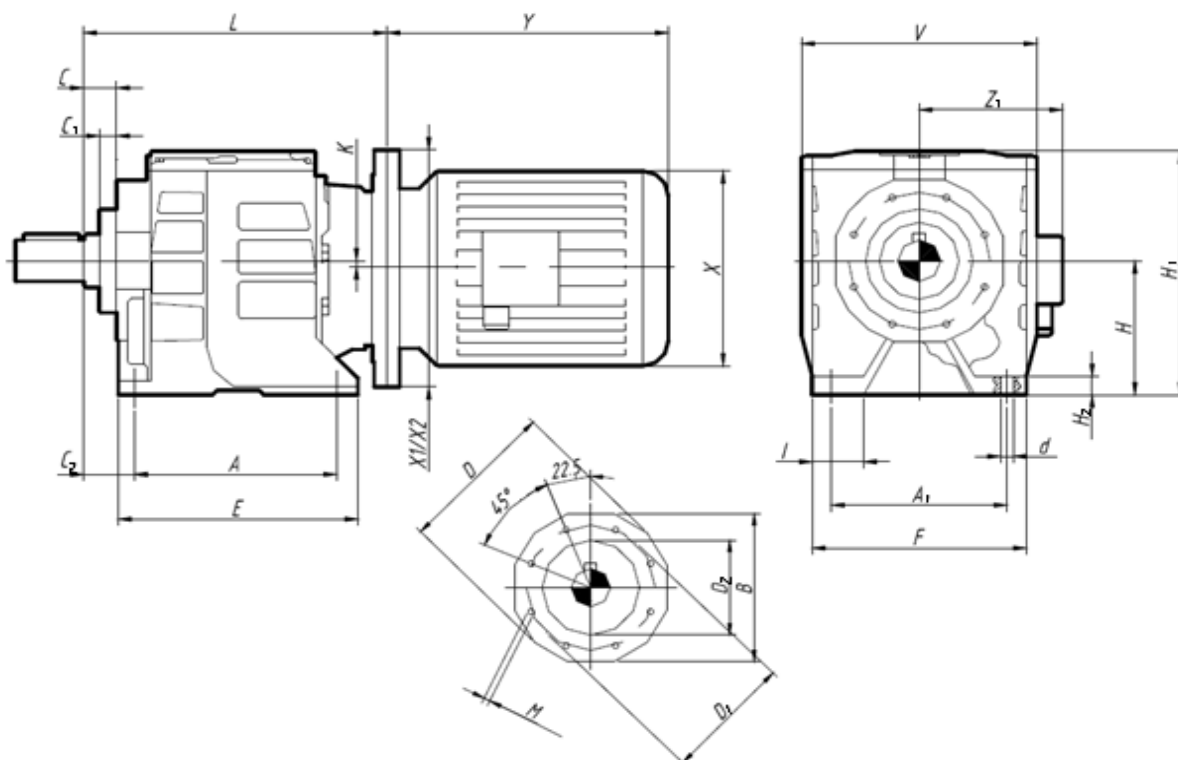


## Габаритные и присоединительные размеры.

Исполнение на лапах (B3)



MRD	02/03	02/03	02/03	02	12/13	12/13	12/13	12	12
IEC	56	63	71	80	56	63	71	80	90 S/L
X	110	123	140	159	110	123	140	159	176
X1(B5)	120	140	160	—	120	140	160	200	200
X2(B14)	80	90	105	120	—	90	105	120	140
Y	168	185	220	238	168	185	220	238	255/280
Z1	108	110	121	138	108	110	121	138	149
L	140/143			140	151/161			151	
C	13				10				
C <sub>1</sub>					9				
K	4.5				5				
C <sub>2</sub>	20				18				
A	95				110				
E	115				132				
V	100				140				
I	23				38				
A <sub>1</sub>	80				110				
F	96				135				
d					Ø9				
H	60				75				
H <sub>1</sub>	111				131				
H <sub>2</sub>	6.5				8				
D					84				
M					M6x14 (7)				
B					□82				
D <sub>1</sub>					Ø75				

MRD	23	22/23	22/23	22/23	22	22	32/33	32/33	32/33
IEC	63	71	80	90 S/L	100	112	71	80	90S/L
X	123	140	159	176	195	219	140	159	176
X1(B5)	140	160	200	200	250	250	160	200	200
X2(B14)	—	105	120	140	160	160	105	120	140
Y	185	220	238	255/280	314	328	220	238	255/280
Z1	110	121	138	149	160	172	121	138	149
L	208	190/208			190		220/253		
C					13				
C <sub>1</sub>					11				
K					6		8.5		
C <sub>2</sub>					25		30		
A					130		165		
E					153		195		
V					155		190		
I					37		44		
A <sub>1</sub>					110		135		
F					140		173		
d					∅9		∅11.5		
H					90		115		
H <sub>1</sub>					158		198		
H <sub>2</sub>					10		14		
D					108		130		
M					M6x10 (8)		M8x18 (8)		
B					□102		□125		
D <sub>1</sub>					∅95		∅115		

MRD	32	32	43	42/43	42/43	42/43	42	42
IEC	100	112	71	80	90 S/L	100	112	132 S/M
X	195	219	140	159	176	195	219	258
X1(B5)	250	250	160	200	200	250	250	300
X2(B14)	160	160	—	120	140	160	160	200
Y	314	328	220	238	255/280	314	328	368/410
Z1	160	172	121	138	149	160	172	192
L	220		305	265/305			265	
C	13					15		
C <sub>1</sub>	11					13		
K	8.5					9.5		
C <sub>2</sub>	30					30		
A	165					195		
E	195					221		
V	190					215		
I	44					50		
A <sub>1</sub>	135					150		
F	173					195		
d	∅11.5					∅13.5		
H	115					130		
H <sub>1</sub>	198					222		
H <sub>2</sub>	14					15		
D	130					∅145		
M	M8x18 (8)					M8x18 (8)		
B	□125					□142		
D <sub>1</sub>	∅115					∅130		

MRD	52/53	52/53	52/53	52/53	52/53	52/53	52	52
IEC	80	90 S	90 L	100	112	132 S/M	160	180
X	159	176	176	195	219	258	310	320
X1(B5)	200	200	200	250	250	300	350	350
X2(B14)	—	—	—	—	—	200	—	—
Y	238	255	280	314	328	368/410	486	580
Z1	138	149	149	160	172	192	235	245
L	322						353	
C	18							
C <sub>1</sub>	14							
C <sub>2</sub>	35							
A	205							
E	254							
V	284							
I	42							
A <sub>1</sub>	170							
F	254							
d	∅18							
H	140							
H <sub>1</sub>	255							
H <sub>2</sub>	20							
D	∅190							
M	M10x25 (8)							
B	□180							
D <sub>1</sub>	∅130g6							

MRD	62/63	62/63	62/63	62/63	62/63	62/63	62	62
IEC	80	90 S	90 L	100	112	132 S/M	160	180
X	159	176	176	195	219	258	310	320
X1(B5)	200	200	200	250	250	300	350	350
X2(B14)	—	—	—	—	—	200	—	—
Y	238	255	280	314	328	368/410	486	580
Z1	138	149	149	160	172	192	235	245
L	379						410	
C	18							
C <sub>1</sub>	14							
C <sub>2</sub>	40							
A	260							
E	305							
V	340							
I	42,5							
A <sub>1</sub>	215							
F	300							
d	∅18							
H	180							
H <sub>1</sub>	302							
H <sub>2</sub>	24							
D	∅190							
M	M10x25 (8)							
B	□180							
D <sub>1</sub>	∅130g6							